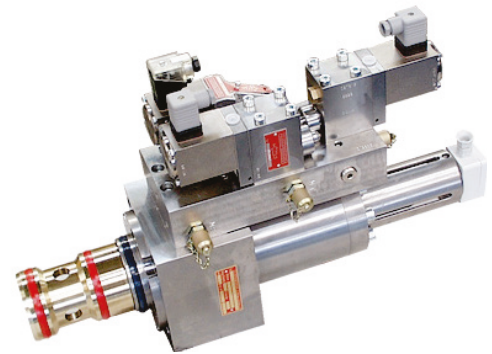


## 2/2 dir. contr. proportional valve for water and oil hydraulics

DN 25 to 100, operating pressures up to 320 bar

- Pilot-controlled proportional valves
- Pilot-control by means of own medium
- Leakage-free sealing on valve seat
- Force-controlled working piston
- Smooth switching, no shock impacts
- Wear parts are easy to access and fast to replace

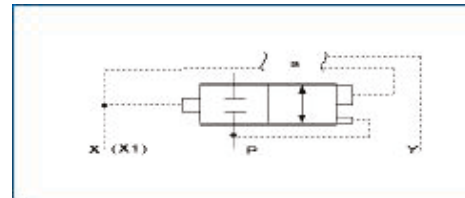


### TECHNICAL DATA

- Actuation magnet is protected against dirt and humidity
- The proportional valve can be driven by a position control card BLS1 only

The 2/2 directional control proportional valves are particularly suitable for HFA liquids and clear water up to operating pressures of 320 bar maximum.

Via proportional pilot-control valves, the volume flow through the opening cross-section and the pressure difference on the valve are determined.



#### Type

Fitted seat valve

#### Pilot-control press.

=system pressure, min. 25bar

#### Contr.medium

Own medium

#### Press. fluid

HFA acc. to CETOP or VDMA standard sheet 24320 with 95% water and 5% Additives, non-lubricated water (clear water), min. oil acc. to DIN 51524 and 51525

#### Contr. medium return

separate and depressurized into the tank

#### Max. operating pressure

320bar

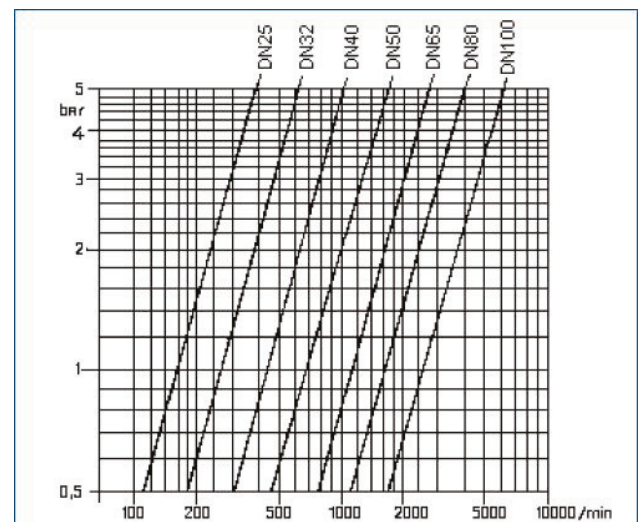
#### Flow see

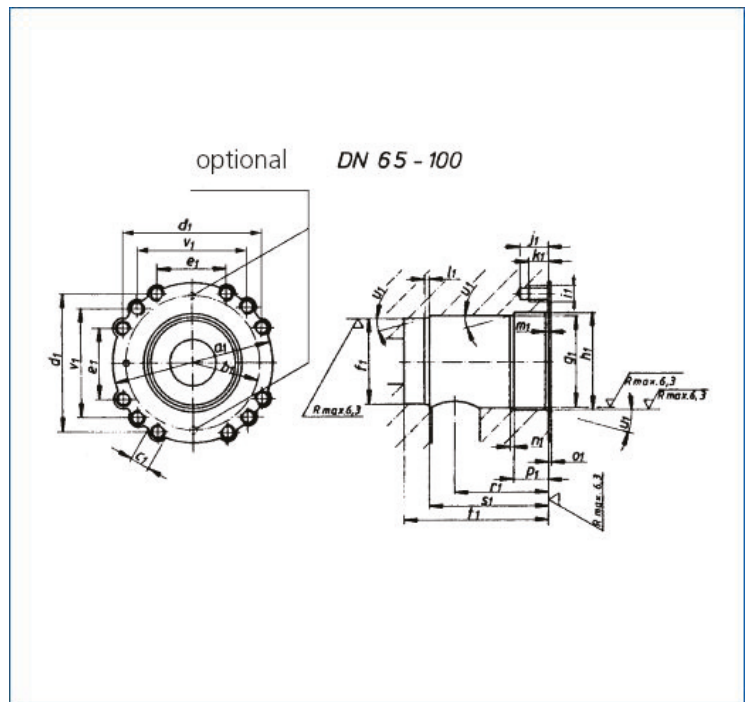
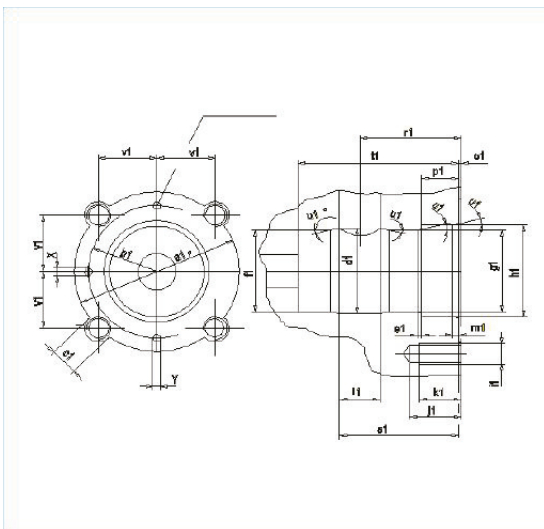
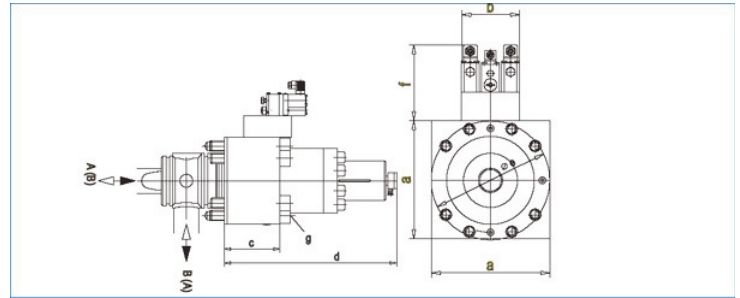
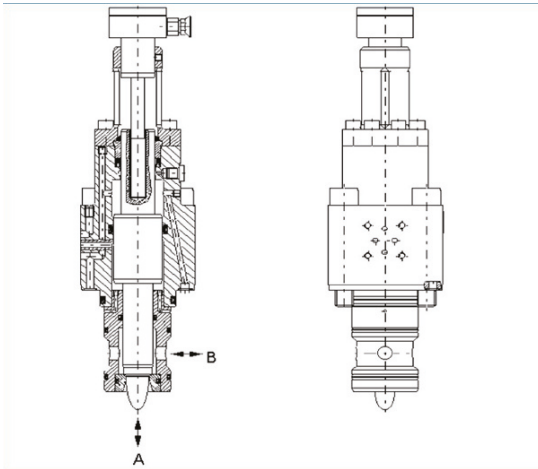
Table 1

#### Fluid

Temperature 5°C to 45°C

Table 1





DN	A	B	X	Y	a	b	c	d+15	e	f	Schrauben			a <sub>1</sub>	b <sub>1</sub>	c <sub>1</sub>	d <sub>1</sub>	e <sub>1</sub>	f <sub>1</sub>	g <sub>1</sub>	h <sub>1</sub>	i <sub>1</sub>	j <sub>1</sub>	k <sub>1</sub>	l <sub>1</sub>	m <sub>1</sub>	n <sub>1</sub>	o <sub>1</sub>	p <sub>1</sub>	r <sub>1</sub>	s <sub>1</sub>	t <sub>1</sub>	u <sub>1</sub>	v <sub>1</sub>	
											St	Gew	DN	Material																					
16	ø16	ø16	ø3,3	ø3,3	70	40	85	164	70	102	4	M10	912	8,8	ø70	829	ø12	ø42	2	H7	H7	H7	M10	22	18	16	2,5	-	1	15	41	48	66	15°	24,75
20	ø20	ø20	ø3,3	ø3,3	85	40	85	191	85	102	8	M12	912	8,8	ø85	835	ø14	ø52	3	H7	H7	H7	M12	21	17	20	2,5	-	1	20	53	62	82	15°	33,9
25	ø25	ø25	ø6	ø6	95	50	95	208	93	115	4	M12	912	12,9	ø95	839	ø14	ø59	2,5	H7	H7	H7	M12	22	18	25	3	-	1	25	61	72,5	95	15°	35,36
32	ø32	ø32	ø8	ø8	120	50	100	247	118	115	4	M20	912	10,9	ø120	850	ø22	ø72	5	H7	H7	H7	M20	28	24	32	4	-	1	30	76	91	120	15°	43,13
40	ø40	ø40	ø8	ø8	150	50	112	283	148	115	4	M24	912	10,9	ø150	862	ø26	ø88	5	H7	H7	H7	M24	31	32	40	4	-	1	35	91	110	140	15°	54,8
50	ø50	ø50	ø9	ø9	175	50	131	341	173	115	4	M30	912	8,8	ø175	872	ø32	ø105	5	H7	H7	H7	M30	41	34	50	5	-	1	40	101	125	160	15°	62,2